



GreenLink 80/7



JOHN DEERE

LAFORGE INTEGRATED PREMIUM FRONT HITCH FOR INTENSIVE APPLICATIONS AND EXTREME CONDITIONS

For the most demanding applications like **dozer blade, or subsoiler (ripper) or for very intensive use with wide and/or heavy front implements**, we recommend the **GreenLink 80/7 front hitch** for the **ultimate reliability** field after field and year after year.

UNMATCHED RELIABILITY THROUGH SUPERIOR TECHNICAL SOLUTIONS

A strong locking bracket connects the lower links. Removing it allows for lateral contour following with rolling equipment.

The main shafts have large double bushings for excellent durability.

Reinforced arms with boxed design: For superior stiffness, linked to the frame by a 60 mm diameter shaft, 180 mm width, equipped with grease zerks and copper bushings : **designed to push the most demanding implements.**



Yoke design for cylinder connections have replaceable shafts that are locked in rotation.

Reinforced centerlink frame, Cat. 3 with 2 hole locations to match various implement geometries.

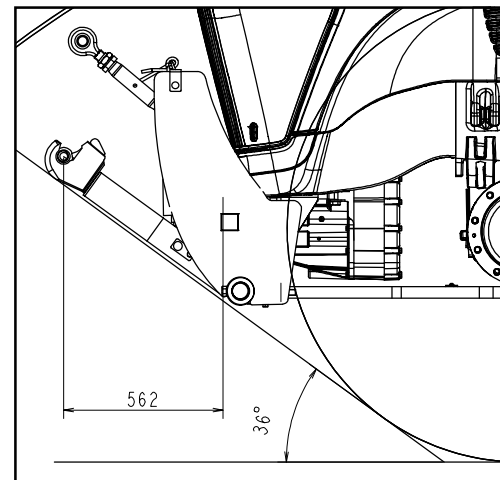
Hitch frame designed to withstand the heavy side loads, as well as pushing loads, generated by implements such as rippers, dozer blades, moldboard plows, etc.

- Compatible with JOHN DEERE Front PTO.

A REINFORCING PUSH BAR IS STANDARD: A JOHN DEERE REQUIREMENT FOR HITCHES WITH SUCH HIGH LIFT CAPACITY.

THE LAFORGE DESIGN ENSURES REINFORCEMENT OF THE TRACTOR WITHOUT COMPROMISING THE OUTSTANDING 7020 MANOEUVRABILITY.

IT ALSO MAINTAINS THE GROUND CLEARANCE EQUAL TO THE REAR DRAWBAR.



- **Outstanding compactness** : the overhang in relation to the tractor's front face is only **562 mm (22 inch) in up position.**
- **Unsurpassed approach angle 36°**; allows for excellent implement clearance.

TECHNICAL DATA

- Lift range: 800 mm (31,5 inch)
- Lift capacity: 5600 kg (12,320 Lbs.)
- Lower hook Cat 3
- Cat 3 top link with storage position
- Reinforcing push bar in base specification

LAFORGE SARL

Pôle d'activités - Route de Soissons
02190 GUIGNICOURT - FRANCE
Tel : (33) (0)3.23.79.85.85.
Fax : (33) (0)3.23.79.81.75.
email : commercial@laforge.fr
site internet : www.laforge.fr

LAFORGE SYSTEMS Inc

4425 C Treat Blvd, Suite 230
CONCORD - CA 94521 - USA
Phone (925) 827 2010 - 1 800 422 5636
Fax : (925) 689 7198
email : lars@fronthitch.com
web site : www.fronthitch.com



JOHN DEERE

Check maximum axle load and tire pressure (in relation with travel speed) with JOHN DEERE and tire manufacturer. LAFORGE's responsibility is limited to our product. Specifications and design subject to change without notice. 10/03



LAFORGE

LAFORGE



JOHN DEERE

FRONT HITCHES FOR JOHN DEERE 7720 7820 7920 TRACTORS

PARTNERSHIP PRODUCTS FOR OPTIMUM TRACTOR PERFORMANCE



GreenLink St3/7 and GreenLink St5/7

FRONT HITCHES DESIGNED EXCLUSIVELY FOR JOHN DEERE 7720 7820 7920 TRACTORS

With 25 years of experience in this field, LAFORGE has emerged as **the foremost expert in front hitch design for large HP tractors**. JOHN DEERE, the world's leading farm equipment manufacturer **has chosen LAFORGE as their exclusive partner** for design and manufacturing of front 3 point systems for the 7720, 7820 & 7920.

GreenLink St3/7

GreenLink St3/7 is intended for medium sized secondary tillage equipment (seedbed preparation), or row cultivators, as well as for carrying ballast weight, tanks, etc



- **Sturdy lower links** are manufactured using 30 mm thick, high grade steel.
- **Large lift range** creates excellent implement ground clearance.
- **Cat 3 lower link hooks** for compatibility with all front implements.



- **Ground clearance**, when in up position, is **identical** to ground clearance **under front axle**.
- When folded, overhang is reduce to 350 mm (14 inch) : **very compact**
- Compatible with JOHN DEERE Big Pack Weight.
- **Compatible with JOHN DEERE Front PTO.**

THE GreenLink St3/7 LIFT CAPACITY REFLECTS THE MAXIMUM ALLOWED BY JOHN DEERE FOR FRONT HITCH INSTALLATIONS, WITHOUT PUSH BAR ON THIS TRACTOR MODEL.



TECHNICAL DATA

- Lift range: 700 mm (27.6 inch)
- Lift capacity: 3000 kg (6,600 Lbs.)
- Lower hooks Cat 3
- Cat 2 top link with storage position

GreenLink St5/7

Greenlink St5/7 is recommended for most implements used under normal conditions including primary tillage equipment such as chisel plow, top soiler, or for lifting heavy implements.



- **Robust lower links** built from 30 mm thick, high grade steel and equipped with Cat 3 hooks. The lower links are foldable and can be operated locked together or with independant flotation.
- When folded, overhang is reduced to 330 mm (13 inch); **very compact**.
- Compatible with JOHN DEERE Big Pack Weight.
- **Equipped with Heavy Duty**, large diameter (100 mm) torque tube.



REINFORCING PUSH BAR IS STANDARD: A JOHN DEERE REQUIREMENT FOR HITCHES WITH SUCH HIGH LIFT CAPACITY.

THE LAFORGE DESIGN ENSURES REINFORCEMENT OF THE TRACTOR WITHOUT COMPROMISING THE OUTSTANDING 7020 MANEUVERABILITY.

IT ALSO MAINTAINS THE GROUND CLEARANCE EQUAL TO THE REAR DRAWBAR.



● The JOHN DEERE Front PTO can deliver **full engine power up front**. It is perfectly integrated in the front support.

- **GreenLink St5/7 front hitch is compatible** with the JOHN DEERE front PTO while matching all international standards.
- **GreenLink St5/7 is also available factory installed.** It then comes standard with a dedicated valve, remote switch and one set of front mounted SCV valve outlets.

TECHNICAL DATA

- Lift range: 750 mm (29.5 inch)
- Lift capacity: 5200 kg (11,450 Lbs.)
- Lower hooks Cat 3
- Cat 3 top link with storage position
- Reinforcing push bar in base specifications

