



# GreenLink® 80/7

**INTEGRATED HEAVY DUTY FRONT HITCH FOR INTENSIVE APPLICATIONS AND EXTREME CONDITIONS**



# LAFORGE

**FRONT HITCHES FOR JOHN DEERE  
7630-7730-7830-7930**



JOHN DEERE

**JOHN DEERE**  
approved products(exclusive)

For the **most demanding applications** like dozer blade or subsoiler (ripper) or for **very intensive use with wide and/or heavy front implements**, we recommend the **GreenLink® 80/7 front hitch for ultimate reliability**, field after field year after year

## UNMATCHED RELIABILITY THROUGH SUPERIOR TECHNICAL SOLUTIONS

The **hitch frame** is designed to **withstand heavy side loads** as well as **pushing loads** generated by implements such as **rippers, dozer blades**, etc.

**Reinforced lower links** with boxed design for **superior stiffness** are linked to the frame by a **60 mm diameter; 180 mm wide shaft**, equipped with **grease zerk and copper bushings**: **Designed to push the most demanding implements.**

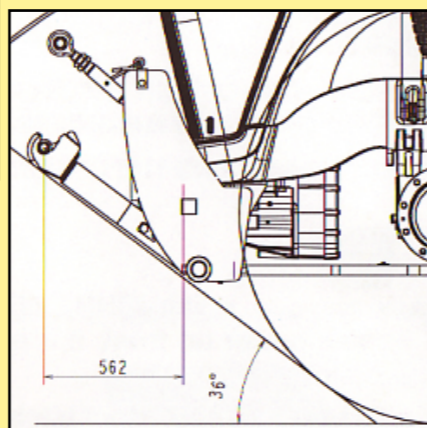


The **reinforced Cat 3 center link frame** with **dual hole locations** ensures **compatibility with various implement geometries**

A **strong locking bracket** connects the lower links. **Removing it allows for lateral contour following** with rolling implements

### ADVANTAGES:

- ✓ **Unsurpassed compactness at work: only 562 mm (22inch) overhang**
- ✓ **Outstanding approach angle at 36° : excellent implement clearance**
- ✓ **Steel hydraulic lines are protected by the push bar**
- ✓ **Compatible with JOHN DEERE front PTO**
- ✓ **Reinforced heavy duty push bar with optimised design**  
→ retains ground clearance equal to rear draw bar



TECHNICAL DATA	GL 80/7
Lift range	<b>805 mm (31.5")</b>
Lift capacity at hook points	<b>5900 kg (12900 lbs)</b>
Cat 3N hooks	<b>Yes</b>

## PARTNERSHIP PRODUCTS FOR OPTIMUM TRACTOR PERFORMANCE



RELIABILITY  
AND  
PERFORMANCE

SIMPLICITY  
AND  
VERSATILITY



LAFORGE SARL  
Pôle d'activités – Route de Soissons  
02190 GUIGNICOURT – France  
Tel: (33) (0)3.23.79.85.85  
Fax: (33) (0)3.23.79.81.75  
Email: commercial@laforge.fr  
Website: www.laforge.fr

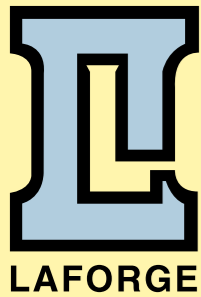
LAFORGE SYSTEMS Inc  
4425 C Treat Blvd, Suite 230  
CONCORD – CA 94521 - USA  
Phone: (925) 827 2010 – 1 800 422 5636  
Fax: (925) 689 7198  
Email: lars@fronthitch.com  
Website: www.fronthitch.com



JOHN DEERE

Check maximum axle load and tyres pressure (in relation with travel speed) with JOHN DEERE and tyres manufacturer. LAFORGE's responsibility is limited to our product Specifications and design subject to change without notice. 01/07





# LAFORGE INTEGRATED FRONT HITCHES for 7020 and 7630, 7730, 7830, 7930

With over 25 years of experience in this field, LAFORGE has emerged as the foremost expert in front hitch design for large HP tractors



JOHN DEERE

## STANDARD VERSIONS:

### GreenLink® St3/7

GreenLink® St3/7 is intended for carrying implements such as ballast weight, tanks, mowers, etc. and light secondary tillage equipment (seed bed preparation).



#### ADVANTAGES:

- ✓ Sturdy lower links made with 30 mm thick steel → reliability
- ✓ Cat 3 lower link hooks → compatibility with all front implements
- ✓ Folded : overhang reduced: 350 mm (14 inch) → very compact
- ✓ Ground clearance = same as under the front axle
- ✓ Compatible with JOHN DEERE Front PTO

The GreenLink® St3/7 lift capacity reflects the maximum allowed by JOHN DEERE for front hitch installation without push bar on this tractor model.

TECHNICAL DATA	GL St3/7	GL St4/7
Lift range	700 mm (27,6")	730 mm (28,7")
Lift capacity at hook points	3000 kg (6600 lbs)	5000 kg (11000 lbs)
Cat 3N hooks	Yes	Yes

### GreenLink® St4/7

GreenLink®St4/7 is intended for secondary tillage implement or row crop cultivators. It allows the implement to follow field contour laterally thanks to its lower links which can be used independently.



#### ADVANTAGES:

- ✓ Folding lower links can be locked or can work independently
- ✓ Sturdy lower links made with 30 mm thick steel → reliability
- ✓ Cat 3 lower link hooks → compatibility with all front implements
- ✓ Large lift range creates excellent implement ground clearance
- ✓ Reinforcing push bar standard even in base specifications
- ✓ Compatible with JOHN DEERE Front PTO

**LAFORGE +:** a unique know-how

## PREMIUM VERSION:

### GreenLink® St5/7

GreenLink® St5/7 is recommended for most implements used under normal conditions, including primary tillage equipment such as moldboard plow or top soiler

#### ADVANTAGES:

- ✓ Sturdy lower links made with 30 mm thick steel → reliability
- ✓ Heavy duty, large diameter (100mm) torque tube for reliable operation even with offset implements
- ✓ Steel hydraulic lines are protected by the push bar
- ✓ Push bar:
  - optimised for heavy duty
  - retains ground clearance: equal to rear draw bar
- ✓ LAFORGE design of the hitch:
  - reinforcement of the tractor
  - maintains the outstanding 7020-7030 maneuverability
- ✓ A unique design for 7020-7030 series:
  - unsurpassed compactness at work and when folded: 330 mm (13 inch) overhang



GreenLink®St5/7 front hitch ensures compatibility with JOHN DEERE Front PTO while matching all international standards

TECHNICAL DATA	JDI St5/7
Lift range	750 mm (29.5")
Lift capacity at hook points	5200 kg (11450 Lbs)
Hook Cat 3N	Yes

### Front PTO



The JOHN DEERE Front PTO can deliver full engine power up front.

The front PTO system has been redesigned for improved performance and reliability in conjunction with the introduction of the 7030-series tractors

#### More news:

GreenLink® St5/7 is also available factory installed on its own or combined with the JOHN DEERE front PTO.

As a factory unit, it can be ordered with 2 dedicated valves, remote switch and one set of front mounted SCV outlets (see above picture),

